

# Mulberry Steel Box Covers & Conduit Bodies

When U.S.-made steel box covers are specified for a job or needed to meet an ARRA requirement, make Mulberry your first choice!

With the exception of our knock-out seals and our conduit bodies, every steel item in this section is manufactured right here in the USA!

In addition, we offer:

- Superior stamping, tapping and finishing
- Smooth powder paint finish on 4 inch raised covers
- Special openings and combinations available for most covers
- Excellent service – local stock, fast turnaround, and quick delivery from our factory and regional warehouses

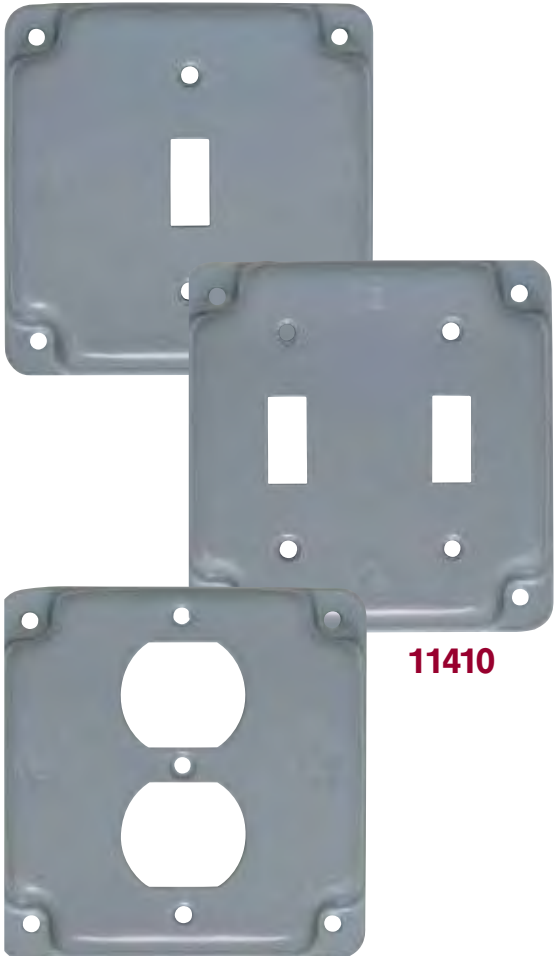


**Round & Square Flat Covers**  
**Device Covers**  
**Square Raised Covers**  
**FS Covers**  
**Gang Box Covers**  
**Die-Cast & Malleable Iron Conduit Bodies**  
**Knockout Seals**  
**Reducing Washers**  
**Nail Plates**



# Mulberry 4 Inch Square Raised Covers

Superior Quality • U.S. Made




11401

11410

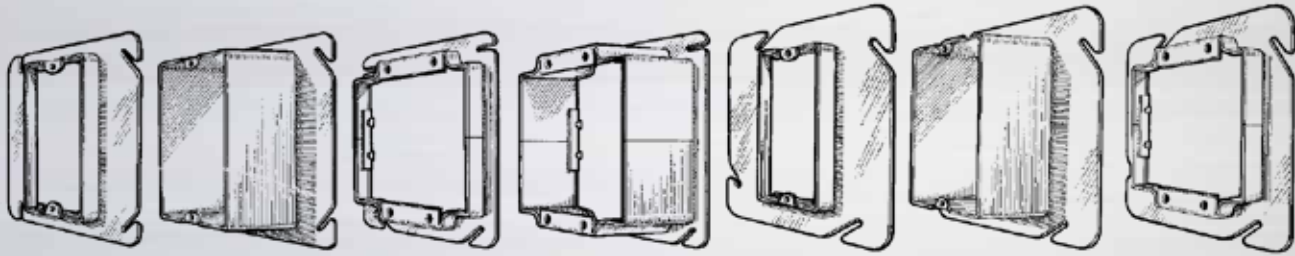
11402

- Over 20 different openings and configurations available
- Depressed corners for easier mounting
- Gray powder coat finish helps prevent oxidation and possible rust
- Covers with duplex openings come with additional screw holes and mounting hardware to meet the latest NEC requirements
- Made in the USA



# Tile Type Device Covers

4" and 4-11/16"



No. 11261      No. 11266      No. 11271      No. 11276      No. 11361      No. 11366      No. 11371

Catalog No.	Description	Carton Quantity	Weight Per 100 Units
<b>1 DEVICE — 4" SQUARE</b>			
11261	Raised 1/2"	25	31 lbs.
11262	Raised 3/4"	25	36 lbs.
11263	Raised 1"	25	41 lbs.
11264	Raised 1-1/4"	25	45 lbs.
11265	Raised 1-1/2"	25	51 lbs.
11266	Raised 2"	25	60 lbs.
<b>2 DEVICES — 4" SQUARE</b>			
11271	Raised 1/2"	25	27 lbs.
11272	Raised 3/4"	25	33 lbs.
11273	Raised 1"	25	40 lbs.
11274	Raised 1-1/4"	25	45 lbs.
11275	Raised 1-1/2"	25	51 lbs.
11276	Raised 2"	20	63 lbs.
<b>1 DEVICE — 4-11/16" SQUARE</b>			
11361	Raised 1/2"	25	40 lbs.
11362	Raised 3/4"	25	45 lbs.
11363	Raised 1"	25	51 lbs.
11364	Raised 1-1/4"	25	55 lbs.
11365	Raised 1-1/2"	25	45 lbs.
11366	Raised 2"	25	70 lbs.
<b>2 DEVICES — 4-11/16" SQUARE</b>			
11371	Raised 1/2"	25	36 lbs.
11372	Raised 3/4"	25	43 lbs.
11373	Raised 1"	25	49 lbs.
11374	Raised 1-1/4"	25	55 lbs.
11375	Raised 1-1/2"	25	62 lbs.
11376	Raised 2"	20	76 lbs.

